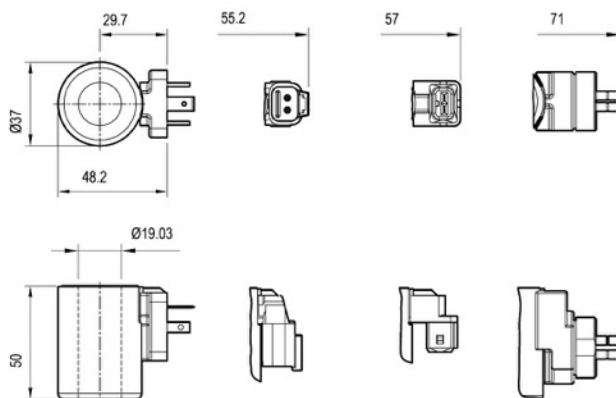


## Magnetspule GZ37 ON/OFF, Class H, 22 W

37 - X - 22G - Y 00



### TECHNICAL DATA

Weight: 0.24 kg (0.53 lbs)  
Heat insulation Class H: 180°C (356°F)  
Ambient temperature range: -40/+110°C (-40/+230°F)  
Inlet voltage fluctuations must not exceed ±15% of nominal voltage to obtain correct operation and long life coils.  
Coils are not equipped with suppression diode.  
Coating to DIN 50962 - Fe // ZnNi with thick film passivation.  
(Salt spray test to DIN 50021 720 h)

[mm]

X	Connection	Type of protection
C4	AMP JUNIOR TIMER	IP 66 (IP69K with connector R901022127) see RE08006
K40	DT04-2PA DEUTSCH	IP 69K
K4	DIN 43650 - ISO4400	IP65
K46	KOSTAL	IP65

Y	Voltage V	Resistance Ohm ± 5%	Power W
	Nominal	T= 20°C (68°F)	T= 20° (68°F) Nominal Voltage
12	12 DC	6.4	22
24	24 DC	25.8	22
48	48 DC	101	22
96	96 DC	387	22
205	205 DC	1870	22